

FIG. A - PLAN VIEW CUT-OUT

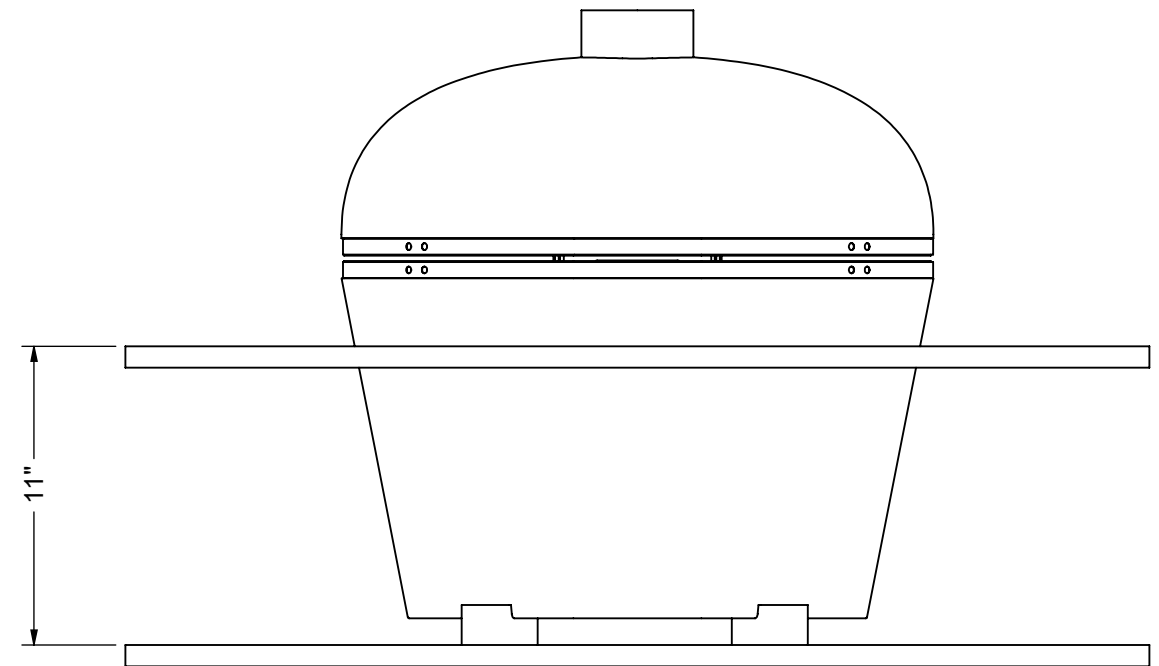


FIG. B - ELEVATION - HT. FROM TOP SURFACE TO SUPPORTING SHELF

THE HINGE NOTCH CUT-OUT IS THE ONLY CUT-OUT RECOMMENDED DUE TO THE REDUCED HEIGHT OF THE JR PRIMO GRILL

					5/4/21	MAX. TOLERANCE UNLESS OTHERWISE SPECIFIED	MAT'L. -	DO NOT SCALE DRAWING	EMPIRE COMFORT SYSTEMS, INC
						FRACTIONS: ±1/64"	DESCRIPTION: CUT-OUT, JR WITH NEW HINGE		NO. JR CUT-OUT NEW HINGE
ECO NUMBER	LTR	REVISION	ENG	DRAFT	DATE	DECIMALS: ±.015 ROUND HOLE Øs (EXCEPT PORTS): ±.005 ROUND PORT Øs: ±.001 ANGLES: ±2° ALL BENDS 90°	USED ON:	SHEET: 1 OF 1	