

FIG. A - PLAN VIEW CUT-OUT

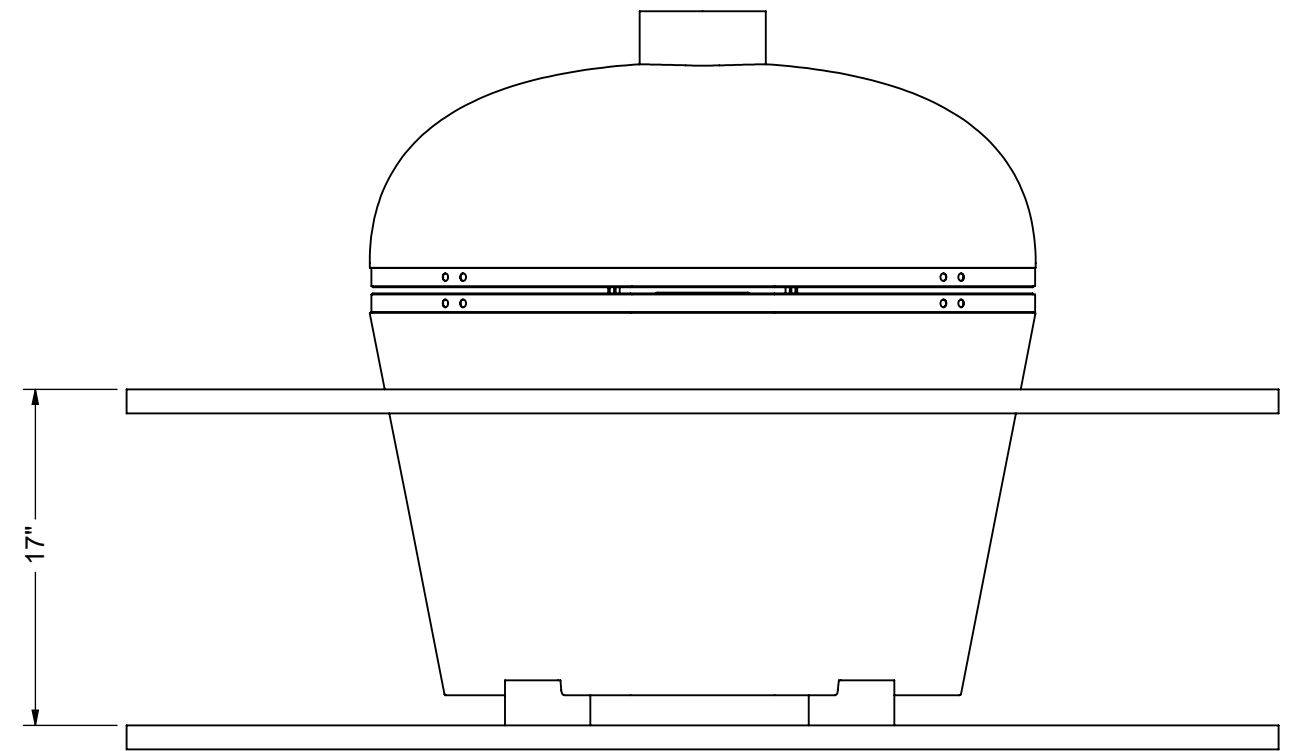


FIG. B - ELEVATION - HT. FROM TOP SURFACE TO SUPPORTING SHELF

TO HAVE THE LIP OF THE GRILL LOWER TO THE COUNTERTOP SURFACE USE THE TEMPLATE WITH THE HINGE NOTCH.

ECO NUMBER	LTR	REVISION	ENG	DRAFT	DATE	5/4/21	MAX. TOLERANCE UNLESS OTHERWISE SPECIFIED FRACTIONS: ±1/64" DECIMALS: ±.015 ROUND HOLE Øs (EXCEPT PORTS): ±.005 ROUND PORT Øs: ±.001 ANGLES: ±2° ALL BENDS 90°	MATL. - DESCRIPTION: CUT-OUT, RND WITH NEW HINGE USED ON:	DO NOT SCALE DRAWING SHEET: 1 OF 2	EMPIRE COMFORT SYSTEMS, INC NO. RND CUT-OUT NEW HINGE
------------	-----	----------	-----	-------	------	--------	--	---	---------------------------------------	---

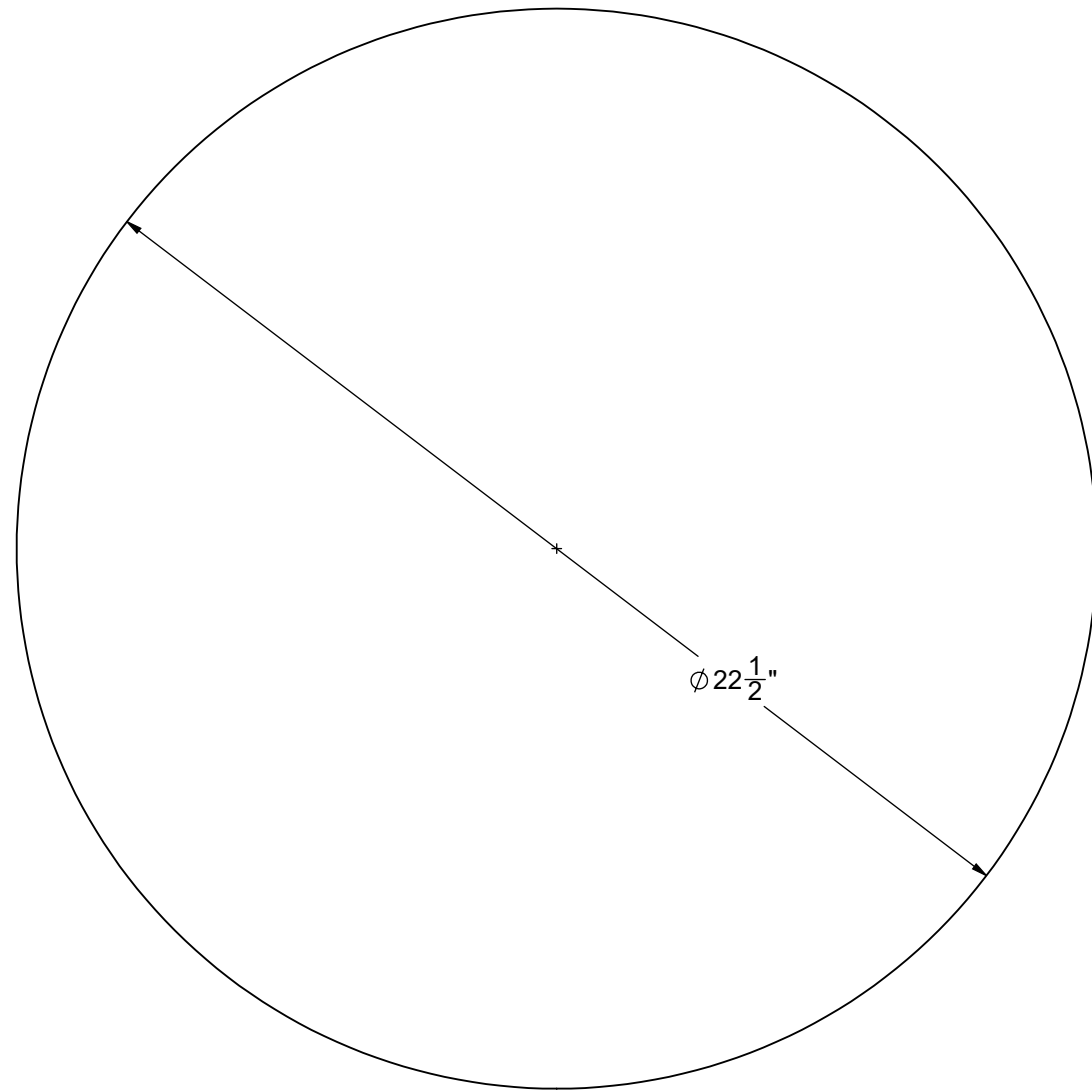


FIG. A - PLAN VIEW CUT-OUT

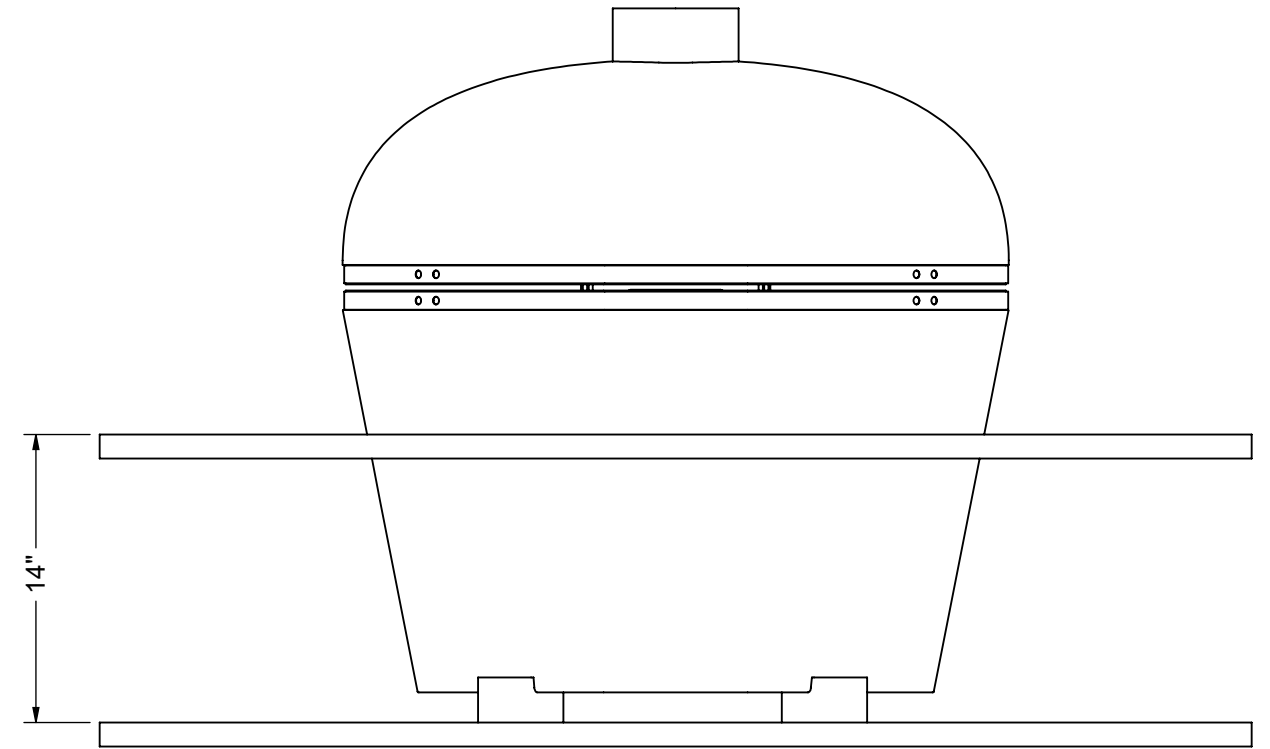


FIG. B - ELEVATION - HT. FROM TOP SURFACE TO SUPPORTING SHELF

					5/4/21	MAX. TOLERANCE UNLESS OTHERWISE SPECIFIED	MAT'L. -	DO NOT SCALE DRAWING	EMPIRE COMFORT SYSTEMS, INC
						FRACTIONS: ±1/64" DECIMALS: ±.015 ROUND HOLE Øs (EXCEPT PORTS): ±.005	DESCRIPTION: CUT-OUT, RND WITH NEW HINGE		NO. RND CUT-OUT NEW HINGE
ECO NUMBER	LTR	REVISION	ENG	DRAFT	DATE	ROUND PORT Øs: ±.001 ANGLES: ±2° ALL BENDS 90°	USED ON:	SHEET: 2 OF 2	